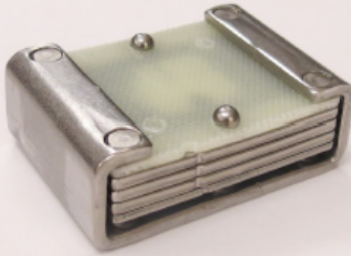


Omni-ID® Adept 400

Designed for use in very harsh environments, the Omni-ID Adept 400 is ideal for attachment to pipes and fixed assets in remote production, extraction, and processing industrial facilities. Capable of surviving heavy impact, this global frequency tag is capable of surviving long term field use anywhere on the globe.



Applications

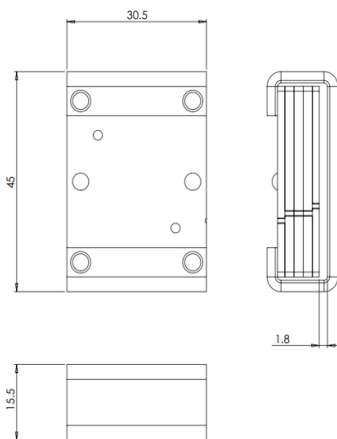
The Adept 400 global frequency tag is perfect for industrial applications requiring high impact resistance such as:

- ▶ Piping
- ▶ Valves
- ▶ Processing Equipment

Physical Specifications

Layers	5 layer	4 layer (option)
Encasement	Stainless steel with ceramic core	Stainless steel with ceramic core
Size (mm)	45 x 30.5 x 15.5	39 x 30.5 x 11.2
Size (in)	1.77 x 1.20 x 0.61	1.54 x 1.20 x 0.44
Weight (g)	94.0	53.0

Dimensions - 5 layer (see page 2 for 4 layer drawing)



Dimensions stated in mm

RF Specifications

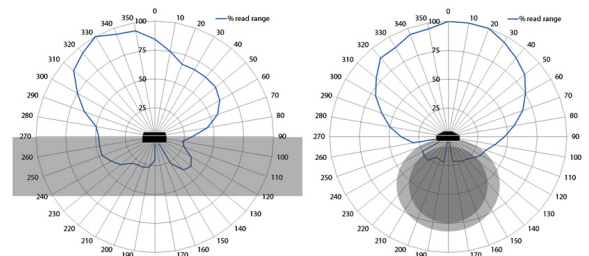
Protocol	EPC Class 1 Gen2
Frequency Range (MHz)	860-930 (Global)
Read Range (Fixed reader) ¹	
5 layer	Up to 2.25m (7.4ft)
4 layer	Up to 4.0m (13.1ft)
Read Range (Handheld reader) ¹	
5 layer	Up to 1.35m (4.43ft)
4 layer	Up to 2.0m (6.56ft)
Material Compatibility	Optimized for metal
IC Type (chip)	Monza 4QT
Memory ²	EPC - 128bits User - 512bits Unique TID - 48bits

1. Quoted performance achieved using standard testing methodology. Read range will vary with reader hardware and output power.

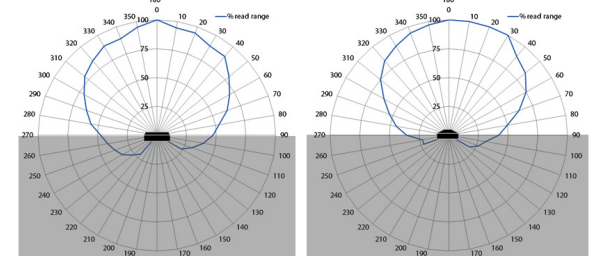
2. EPC and User memory are reprogrammable. UTID is locked at point of manufacture.

Radiation Patterns

On Pipe



On Metal Sheet



Related Products and Services:

- ▶ **Omni-ID Dura 600** - High performance global RFID tag designed to meet the diverse needs of logistics industries.
- ▶ **Omni-ID Adept 360°** - Extremely durable, high performance tether tag with 360° read angle for heavy industrial applications.
- ▶ **Omni-ID Exo 750** - Global, long range on-metal RFID tag, in a small, square footprint, .
- ▶ **Service Bureau** - Omni-ID offers a full service bureau for printing and pre-encoding tags at point of manufacture.



Environmental Specifications

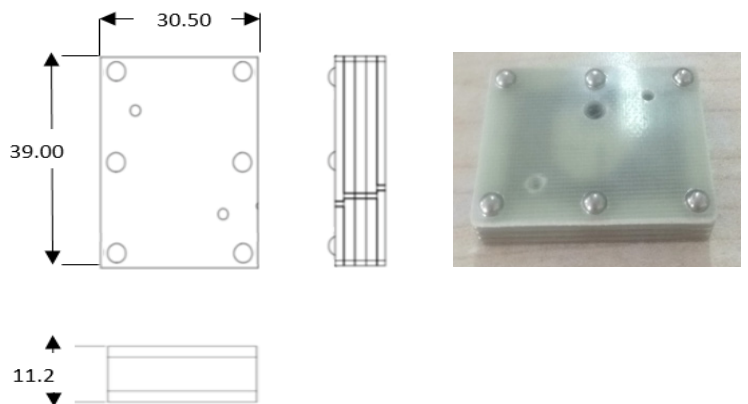
Operating Temperature ¹	-20°C to +65°C
Max Temperature Exposure ¹	-20°C to +65°C
IP Rating	IP68
Shock and Vibration	MIL STD 810-G
Attachment	
5 layer	Steel strap or welded
4 layer	Epoxy ² or welded
Certifications	RoHS approved CE approved ATEX/IECEX certified (option) US&Canada (C1D1/D2) certified (option)
Warranty	1 year

1. Excludes adhesive options
2. Customer to validate their epoxy.

Ordering Information

Order Codes	115 GS
Option Codes	:303 (Customization) :304 (ATEX/IECEX certified) :307 (US&Canada (C1D1/D2) certified) :523 *(Low profile, 4 layer without strap) :701 (Standard Service Bureau)

Dimensions - 4 layer* (see page 1 for 5 layer drawing)



Certifications:



RoHS approved
CE approved
ATEX/IECEX certified (option)
US & Canada (C1D1/D2) certified (option)



Authorized Reseller:
RFID4UStore
www.rfid4ustore.com
1-408-739-3500
sales@rfid4ustore.com

Omni-ID office locations: US | UK | China | India | Germany
For product or technology inquiries e-mail: sales@omni-id.com